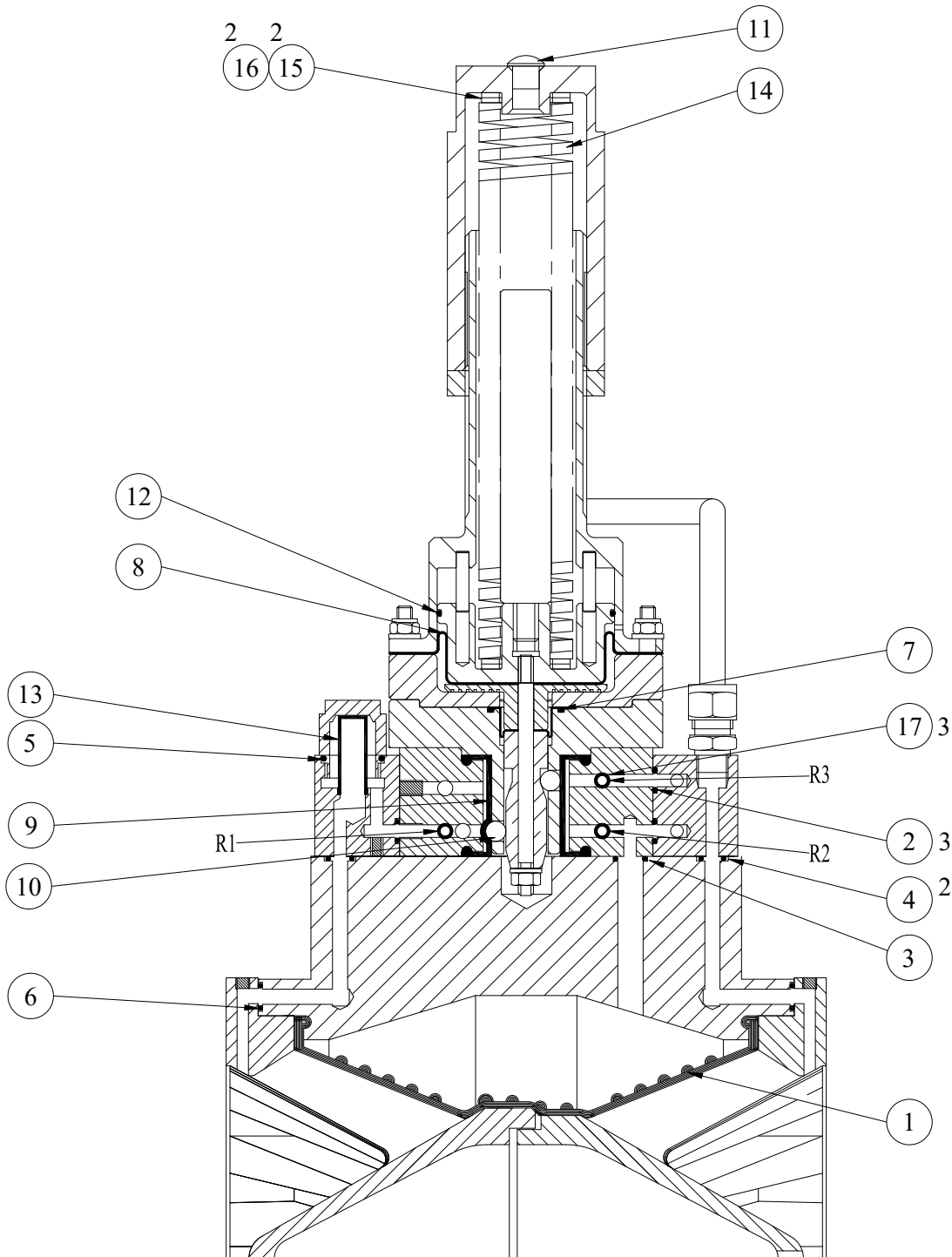


# GW C300 WATER CONTROL VALVE



GW SPRINKLER A/S

## GENERAL SPARES SCHEDULE



**GW SPRINKLER A/S**

Kastanievej 15, DK-5620 Glamsbjerg, Denmark  
 TEL: +45 64 72 20 55 FAX: +45 64 72 22 55  
 E-mail: sales.dep@gwsprinkler.com

Data Sheet: C300 – D5100

Page: 1 of 3  
 Issue / Date: 01.07.2019

**DATA SHEET No: DV070 1001 C**

# GW C300 WATER CONTROL VALVE



GW SPRINKLER A/S

## GENERAL SPARES SCHEDULE

Pos. No.	Description	Qty.	Part Number					
			Valve Size:					
			80 (3")	100 (4")	150 (6")	200 (8")	250 (10")	300 (12")
-	<b>Elastomer Flow Control Sleeve c/w O-Ring spares Kit<sup>1</sup></b>	1	<b>CV64/90119</b>	<b>CV64/90120</b>	<b>CV64/90121</b>	<b>CV64/90122</b>	<b>CV64/90123</b>	<b>CV64/90124</b>
1	Sleeve	1	CV64/70159	CV64/70040	CV64/70044	CV64/70058	CV64/70065	CV64/70073
-	Instructions	1	CV64/70347	CV64/70347	CV64/70347	CV64/70347	CV64/70347	CV64/70347
-	<b>O-Ring Kit</b>	1	<b>CV64/90126</b>	<b>CV64/90126</b>	<b>CV64/90126</b>	<b>CV64/90126</b>	<b>CV64/90126</b>	<b>CV64/90126</b>
2	O-Ring	3	CV50/70089	CV50/70089	CV50/70089	CV50/70089	CV50/70089	CV50/70089
3	O-Ring	1	CV50/71048	CV50/71048	CV50/71048	CV50/71048	CV40/70012	CV40/70012
4	O-Ring	2	CV50/70089	CV50/70089	CV50/71048	CV50/71048	CV40/70012	CV40/70012
5	O-Ring	1	CVI/74227	CVI/74227	CVI/74227	CVI/74227	CVI/74227	CVI/74227
6	O-Ring	2	N/A	N/A	CV50/71202	CV50/71202	CV40/70012	CV40/70012
17	O-Ring	3	CV50/71049	CV50/71049	CV50/71049	CV50/71049	CV50/71049	CV50/71049
-	<b>Pilot Control Valve Spares Kit</b>	1	<b>CV64/90118</b>					
7	Rolling Diaphragm - Beaded	1	CV64/70079					
8	Rolling Diaphragm	1	CV64/70081					
9	Pilot Sleeve	1	CV64/70085					
10	Stainless Steel Balls	2	CV50/71052					
-	Lubricant (10 g packet)	1	CV64/70444					
11	Plug for Adjusting Sleeve	1	CV50/71473					
12	Piston O-Ring	1	CV50/71763					
-	Instructions for Spares Kit	1	CV64/70346					

13	Pilot Strainer (Monel)	1	CV64/70050					
----	------------------------	---	------------	--	--	--	--	--

			Spring Rating (bar)					
			(3 - 7)	(7 - 12)	(5 - 17)			
-	<b>Spring Service Kit</b>	1	<b>CV64/90158</b>	<b>CV64/90157</b>	<b>CV64/90159</b>			
14	Compression Spring	1	CV64/70075	CV64/70319	CV64/70316			
15	Stainless Steel Washer	2	CV64/70425	CV64/70425	CV64/70425			
16	PTFE Washer	2	CV64/70426	CV64/70426	CV64/70426			

Required Commissioning / Maintenance Accessories		Part Number
Rubber Lubricant Emulsion	-	CV64/62163
Restrictor Insertion / Removal Tool	-	CV64/70505
Restrictor Adjusting Tool	-	CV64/70506

<sup>1</sup> Elastomeric Sleeves, Diaphragms and Seals should be stored in sealed lightproof black bags. Spare stocks of sleeves, diaphragms and seals should be used within a two year shelf life to provide a three year in-service life (five year total life).

### GW SPRINKLER A/S

Kastanievej 15, DK-5620 Glamsbjerg, Denmark  
 TEL: +45 64 72 20 55 FAX: +45 64 72 22 55  
 E-mail: sales.dep@gwsprinkler.com

Data Sheet: C300 – D5100

Page: 2 of 3  
 Issue / Date: 01.07.2019

**DATA SHEET No: DV070 1001 C**

# GW C300 WATER CONTROL VALVE

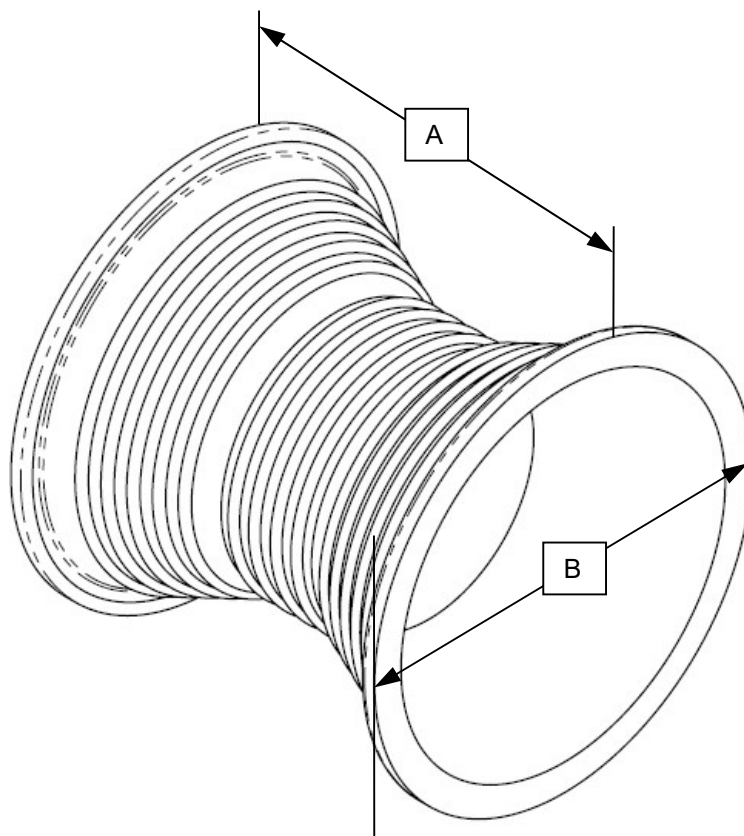


GW SPRINKLER A/S

## GENERAL SPARES SCHEDULE

### Flow control sleeve – dimension overview

Valve size (inch)	3	4	6	8	10	12
Valve size (mm)	80	100	150	200	250	300
Sleeve part no.	CV64/70159	CV64/70040	CV64/70044	CV64/70058	CV64/70065	CV64/70073
A (mm)	125	124	188	258	294	380
B (mm)	119	150	192	258	321	376



### GW SPRINKLER A/S

Kastanievej 15, DK-5620 Glamsbjerg, Denmark  
TEL: +45 64 72 20 55 FAX: +45 64 72 22 55  
E-mail: sales.dep@gwsprinkler.com

Data Sheet: C300 – D5100

Page: 3 of 3  
Issue / Date: 01.07.2019

DATA SHEET No: **DV070 1001 C**