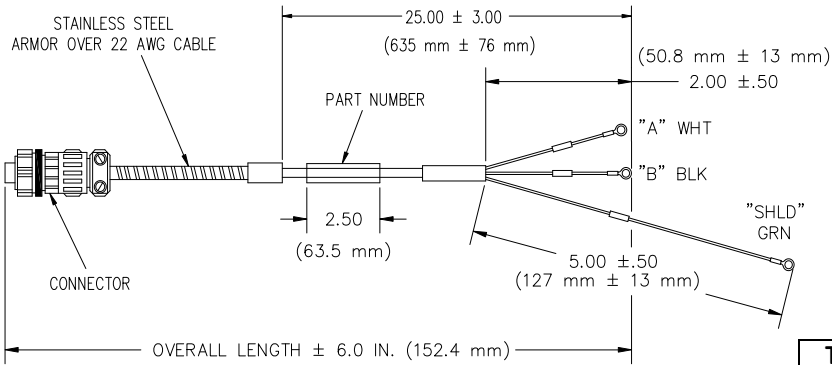


PART NUMBER 84661 – (SEE NOTE)



NOTE

ORDER IN INCREMENTS OF 1.0 FOOT (0.30 m)
EXAMPLE: <input type="text" value="0"/> <input type="text" value="3"/> = 3 FEET (0.91 m)
<input type="text" value="2"/> <input type="text" value="5"/> = 25 FEET (7.6 m)
MIN LENGTH = 3.0 FEET (0.91 m)
MAX LENGTH = 96 FEET (29 m)

The following are standard lengths	
Feet	Metres (approx.)
6	1.8
8	2.4
10	3.0
12	3.6
15	4.5
17	5.0
20	6.0
25	7.6
30	9.0
33	10.0
50	15.2
99	30.0
NOTE: Non-standard/custom lengths can also be ordered at additional cost	

Figure 6: Standard Armored Interconnect Cable