

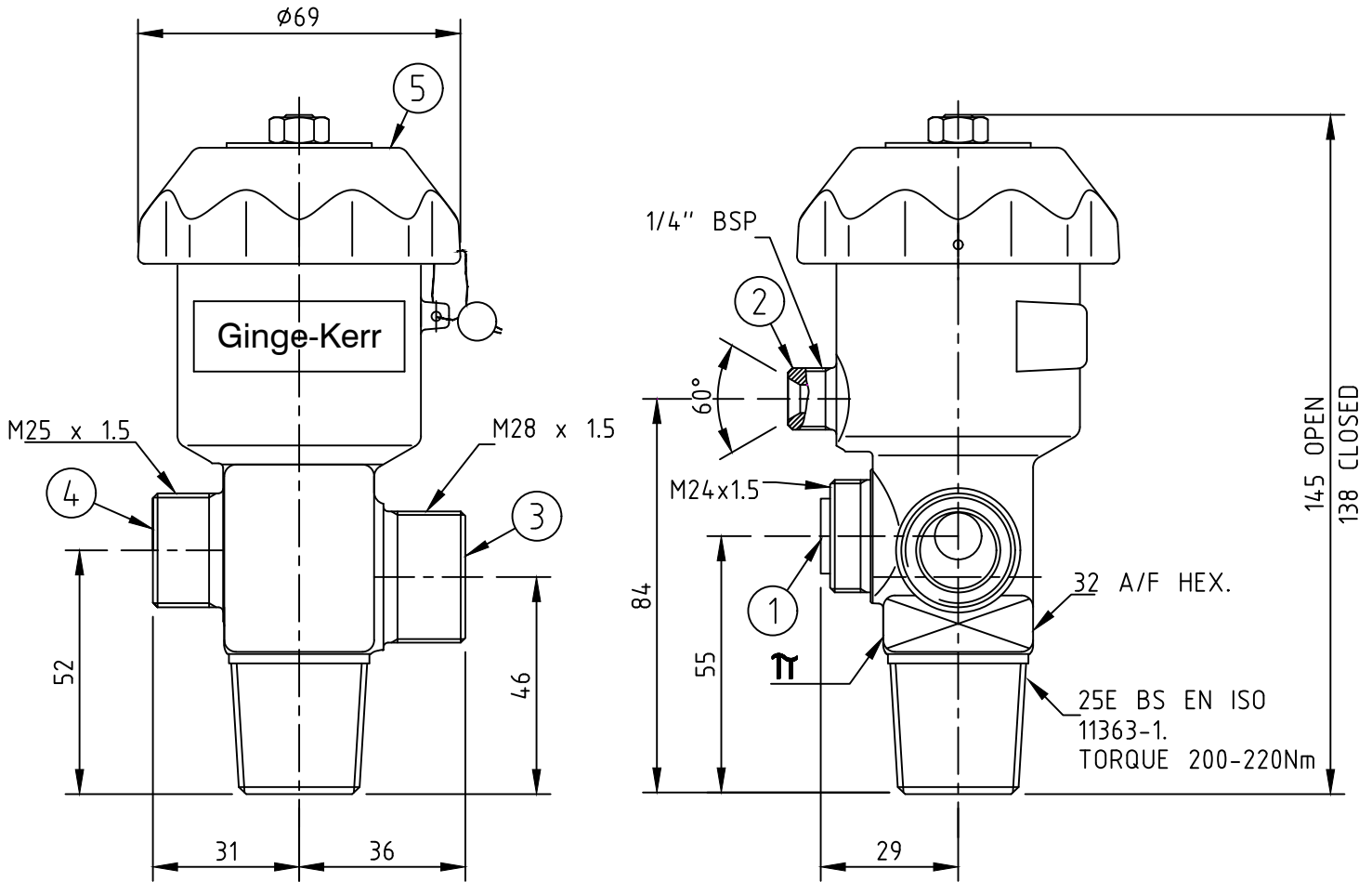
Drawn / Date  
PS 30/06/10

App. by / Date  
MS 10/04/12

Date of issue  
14/02/22

Rev.  
9

DCN  
22-002



1. BURSTING DISC GREY COVER PART NO. 15-6471-0200
2. ACTUATION PORT
3. CONNECTION TO CONTACT PRESSURE GAUGE UNIT 01-7171-1200 OR RELEASE UNITS 01-7172-1200 / 01-7173-1200
4. OUTLET CONNECTION TO HOSE 01-3284-0100 / 0200
5. GREEN HAND WHEEL FOR FILLING ONLY

MATERIAL : BRASS EN12165-CW617N-B

PRESSURE FOR ACTUATION : 30 bar AT CYLINDER PRESSURE OF 200 bar

NUMBER OF OPERATIONS : 50

WORKING PRESSURE : 200 bar

TEST PRESSURE : 360 bar

TEMPERATURE RANGE : -20°C TO 50°C (ISO 14520 / EN 12094)  
: -29°C TO 55°C (NFPA 2001 / UL 2127)

WEIGHT : 1.4 kg