

MCGILL® Heavy Duty CAMROL Bearings



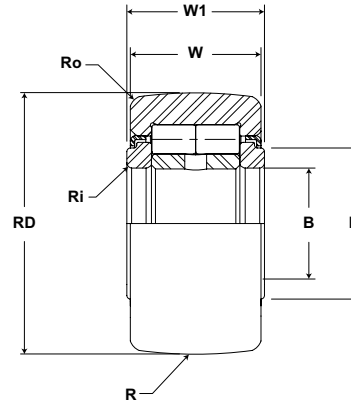
Basic Construction Type: Yoke Type Crowned / Cylindrical Outside Diameter

Rolling Elements: Full Complement Cylindrical Roller

Bearing Material: Bearing Quality Steel

Seal Type: Metallic Shield

Lubrication: Lithium Soap Grease NLGI #2



MCYRD

Part No.	RD		W		B		W1		R	Track Roller Dynamic Rating	Track Roller Static Rating
	Roller Diameter		Roller Width		Bore Diameter		Overall Width		Cylindrical		
	mm inch		mm inch		mm inch		mm inch		Suffix MCF-X		
	Nom.	Tol.	Nom.	Tol.	Nom	Tol	Nom	Tol	mm inch Radius		
MCYRD 15	35.000	+0/- .050 +0/- .002	18.00	+0/.12 +0/- .005	15.000	+0/- .008 +0/- .0003	19.00	+0/-0.21 +0/-0.0008	500 20	16,000	18,000
MCYRD 15 X	1.3780	+0/-0.011 +0/- 0.0004	.709		.5906		.748		Cylindrical	3,597	4,047
MCYRD 17	40.000	+0/- .050 +0/- .002	20.00	+0/.12 +0/- .009	17.000	+0/- .008 +0/- .0003	21.00	+0/-0.21 +0/-0.0008	500 20	18,000	22,000
MCYRD 17 X	1.5748	+0/-0.011 +0/- 0.0004	.787		.6693		.827		Cylindrical	4,047	4,946
MCYRD 20	47.000	+0/- .050 +0/- .002	24.00	+0/.12 +0/- .013	20.000	+0/- .010 +0/- .0004	25.00	+0/-0.21 +0/-0.0008	500 20	27,000	32,000
MCYRD 20 X	1.8504	+0/-0.011 +0/- 0.0004	.945		.7874		.984		Cylindrical	6,070	7,194
MCYRD 25	52.000	+0/- .050 +0/- .002	24.00	+0/.12 +0/- .017	25.000	+0/- .010 +0/- .0004	25.00	+0/-0.21 +0/-0.0008	500 20	30,000	35,000
MCYRD 25 X	2.0472	+0/-0.013 +0/- 0.0005	.945		.9843		.984		Cylindrical	6,745	7,869
MCYRD 30	62.000	+0/- .050 +0/- .002	28.00	+0/.12 +0/- .021	30.000	+0/- .010 +0/- .0004	29.00	+0/-0.21 +0/-0.0008	500 20	41,000	47,000
MCYRD 30 X	2.4409	+0/-0.013 +0/- 0.0005	1.102		1.1811		1.142		Cylindrical	9,218	10,567
MCYRD 35	72.000	+0/- .050 +0/- .002	28.00	+0/.12 +0/- .025	35.000	+0/- .012 +0/- .0005	29.00	+0/-0.21 +0/-0.0008	500 20	46,000	57,000
MCYRD 35 X	2.8346	+0/-0.013 +0/- 0.0005	1.102		1.3780		1.142		Cylindrical	10,342	12,815
MCYRD 40	80.000	+0/- .050 +0/- .002	30.00	+0/.12 +0/- .029	40.000	+0/- .012 +0/- .0005	32.00	+0/-0.25 +0/-0.009	500 20	64,000	71,000
MCYRD 40 X	3.1496	+0/-0.015 +0/- 0.0006	1.181		1.5748		1.260		Cylindrical	14,388	15,962
MCYRD 45	85.000	+0/- .050 +0/- .002	30.00	+0/.12 +0/- .033	45.000	+0/- .012 +0/- .0005	32.00	+0/-0.25 +0/-0.009	500 20	67,000	72,000
MCYRD 45 X	3.3465	+0/-0.015 +0/- 0.0006	1.181		1.7717		1.260		Cylindrical	15,063	16,187
MCYRD 50	90.000	+0/- .050 +0/- .002	30.00	+0/.12 +0/- .037	50.000	+0/- .012 +0/- .0005	32.00	+0/-0.25 +0/-0.009	500 20	71,000	77,000
MCYRD 50 X	3.5433	+0/-0.015 +0/- 0.0006	1.181		1.9685		1.260		Cylindrical	15,962	17,311

1. Standard bearing has a crowned roller outside diameter. For straight cylindrical outside roller diameter, add suffix "X". Example - MCYRD-15-X.

2. Since load, lubrication method, temperature and other factors affect the maximum operating speed, it is impossible to determine precise limiting speed. The listed limiting speeds are based on lightly loaded bearings having adequate lubrication and are listed only as a design guide. If grease lubricated, frequent relubrication is required. Actual bearing testing in the specific application should be conducted if the anticipated operating speed approaches the listed limiting speed.

3. Positive clamping across endplates required to ensure proper end play after mounting.

Metric dimensions for reference only.
 Not all parts are available from stock. Please contact customer service for availability (800) 626-2120.
 For more information on bearing capabilities outside of our standard offering, please contact Application Engineering (800) 626-2093.



MCYRD

E	Ro	Ri	LF	LFT	TF	TFT	LSD	WT
	Outer Corner Radius	Inner Corner Radius	Recommended Shaft Diameters				Limiting Speed (Grease)	Bearing Weight
			Loose Fit		Light Fit			
	mm inch	mm inch	mm inch		mm inch		RPM	kg lb
(Ref)	(Ref)	Nom	Tol	Nom	Tol			
20.00 .787	.60 .024	.30 .012	14.994 .5903	+0/-.011 +0/-.0004	15.000 .5906	+0/-.011 +0/-.0004	6,500	.10 .22
22.00 .866	1.00 .039	.30 .012	16.994 .6691	+0/-.011 +0/-.0004	17.000 .6693	+0/-.011 +0/-.0004	5,500	.15 .32
27.00 1.063	1.00 .039	.30 .012	19.993 .7871	+0/-.013 +0/-.0005	20.000 .7874	+0/-.013 +0/-.0005	4,200	.25 .54
31.00 1.220	1.00 .039	.30 .012	24.993 .9840	+0/-.013 +0/-.0005	25.000 .9843	+0/-.013 +0/-.0005	3,400	.28 .62
38.00 1.496	1.00 .039	.30 .012	29.993 1.1808	+0/-.013 +0/-.0005	30.000 1.1811	+0/-.013 +0/-.0005	2,600	.46 1.02
44.00 1.732	1.10 .043	.60 .024	34.991 1.3776	+0/-.016 +0/-.0006	35.000 1.3780	+0/-.016 +0/-.0006	2,100	.63 1.39
51.00 2.008	1.10 .043	.60 .024	39.991 1.5744	+0/-.016 +0/-.0006	40.000 1.5748	+0/-.016 +0/-.0006	1,600	.82 1.80
55.00 2.165	1.10 .043	.60 .024	44.991 1.7713	+0/-.016 +0/-.0006	45.000 1.7717	+0/-.016 +0/-.0006	1,400	.89 1.95
60.00 2.362	1.10 .043	.60 .024	45.991 1.8107	+0/-.016 +0/-.0006	50.000 1.9685	+0/-.016 +0/-.0006	1,300	.95 2.09